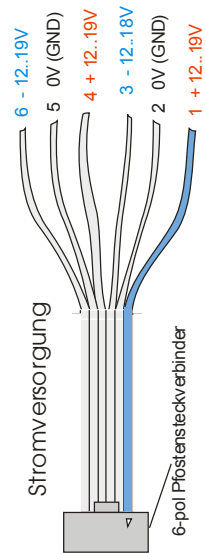
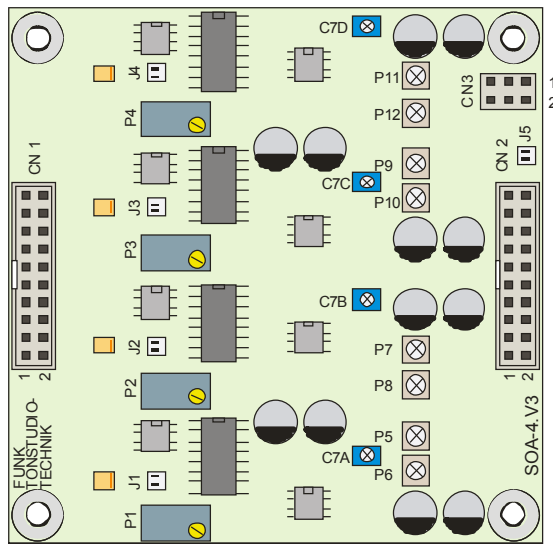
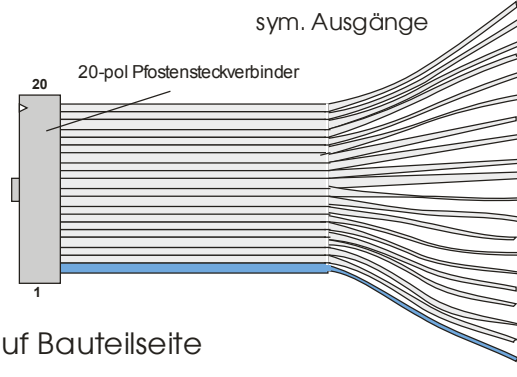
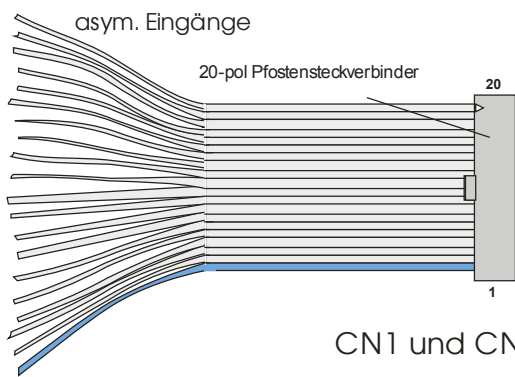


ANSCHLUSS SOA-4.V3b



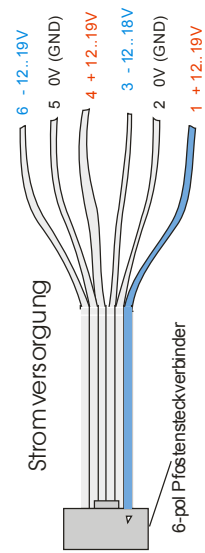
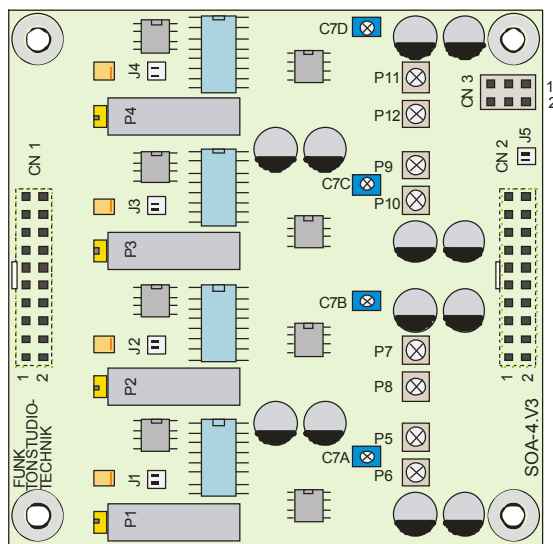
- 20 GND
- 19 GND
- 18 GND
- 17 GND
- 16 IN4
- 15 GND
- 14 GND
- 13 GND
- 12 IN3
- 11 GND
- 10 GND
- 9 GND
- 8 IN2
- 7 GND
- 6 GND
- 5 GND
- 4 IN1
- 3 GND
- 2 GND
- 1 GND



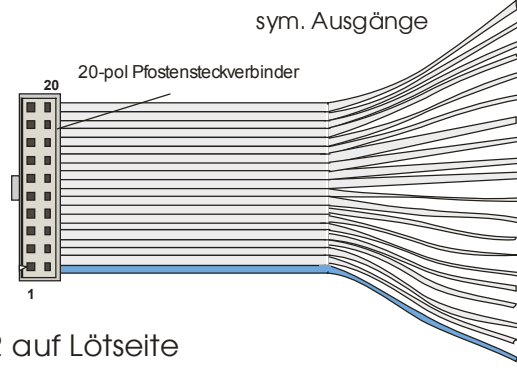
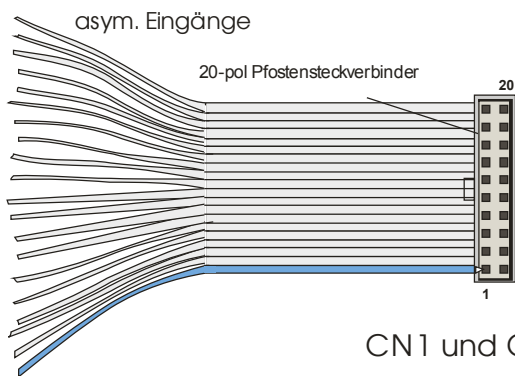
CN1 und CN2 auf Bauteilseite

- 20 NC
- 19 NC
- 18 GND
- 17 GND
- 16 - OUT 4
- 15 + OUT 4
- 14 GND
- 13 GND
- 12 - OUT 3
- 11 + OUT 3
- 10 GND
- 9 GND
- 8 - OUT 2
- 7 + OUT 2
- 6 GND
- 5 GND
- 4 - OUT 1
- 3 + OUT 1
- 2 GND
- 1 GND

ANSCHLUSS SOA-4.V3a



- 20 GND
- 19 GND
- 18 GND
- 17 GND
- 16 GND
- 15 IN4
- 14 GND
- 13 GND
- 12 GND
- 11 IN3
- 10 GND
- 9 GND
- 8 GND
- 7 IN2
- 6 GND
- 5 GND
- 4 GND
- 3 IN1
- 2 GND
- 1 GND



CN1 und CN2 auf Lötseite

- 20 NC
- 19 NC
- 18 GND
- 17 GND
- 16 + OUT 4
- 15 - OUT 4
- 14 GND
- 13 GND
- 12 + OUT 3
- 11 - OUT 3
- 10 GND
- 9 GND
- 8 + OUT 2
- 7 - OUT 2
- 6 GND
- 5 GND
- 4 + OUT 1
- 3 - OUT 1
- 2 GND
- 1 GND

SOA-4.V3 SYMMETRIER- und VERTEILVERSTÄRKER

Abmessungen

